



EGO-KIT. BIKE-MATCH-SHEET.

WILL THE EGO KIT FIT MY BIKE?

Before purchasing the Ego-Kit, we need you to select one of our four mounting brackets. These versions are available in two lengths and each one of those in two different widths.

Also, please look at some features on your bike which may interfere with the mounting bracket. For instance, no bike part should be wider than the ISCG-mount. In addition, short chainstays may “touch” the mounting bracket, so please make sure to allow a distance of 44mm from the center of your bottom bracket to the chainstays.

Take a moment to study the illustrations below and take some measurements to find the right EGO-Kit bracket for your bike. All you need is a tape measure or any other measuring device.

If you have an old chainguide mount (ISCG before 2005) we need to know this in order to produce a bracket for you. This may lead to a 3-4 weeks delay.

If you need any help finding special details regarding your bike (e.g. bottom bracket standards or ISCG standards) we kindly ask you to contact your bike-dealer or manufacturer first.



Still questions? email us!
support@ego-kits.com

CHECK BOTTOM BRACKET, ISCG TYPE AND DOWNTUBE SIZE

TOP VIEW ON YOUR BIKE

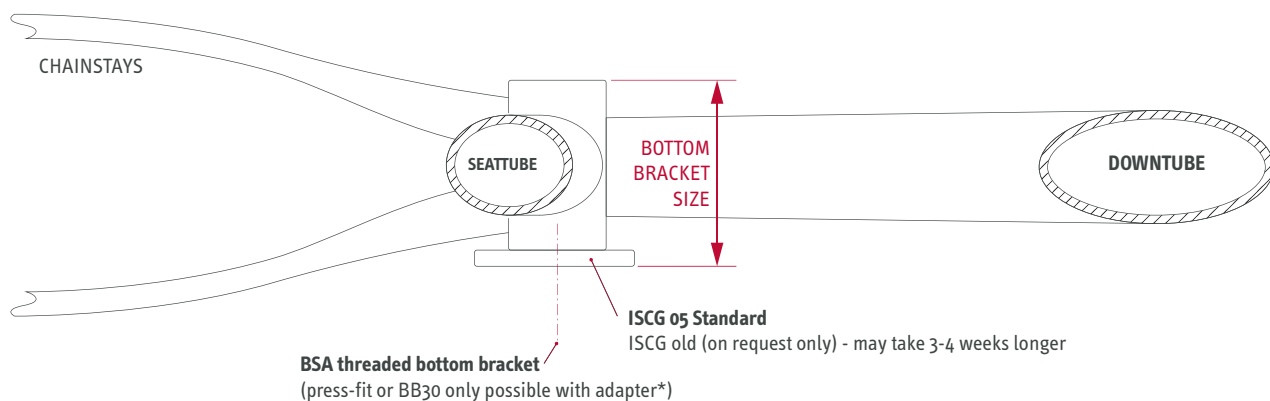


FIG. 1

To fit the different bottom bracket housings we need to know if you have a 68mm, 73mm or 83mm bottom bracket size to serve you with the correct spacers.

If you have an old chainguide mount (ISCG before 2005) we need to know this in order to produce a bracket for you. This may lead to a 3-4 weeks delay.

If you do not have an ISCG on your bike we will serve you with an adapter to fit the bracket on your bike frame.

What's ISCG old or new? > See Figure 4.

*) we do not have any experience with BB30-BSA conversion adapters at the moment. You may try this at your own risk.

ESTIMATING THE EGO-ADAPTER WIDTH

To fit downhill and freeride bikes we developed two bracket widths.

FREERIDE (FR) BRACKET with a width of **86 mm** for mostly freeride bikes (see figure 2a) and

DOWNHILL (DH) BRACKET with a width of **101 mm** for heavy downhill bikes (refer to figure 2b).

Please also specify this in your order.

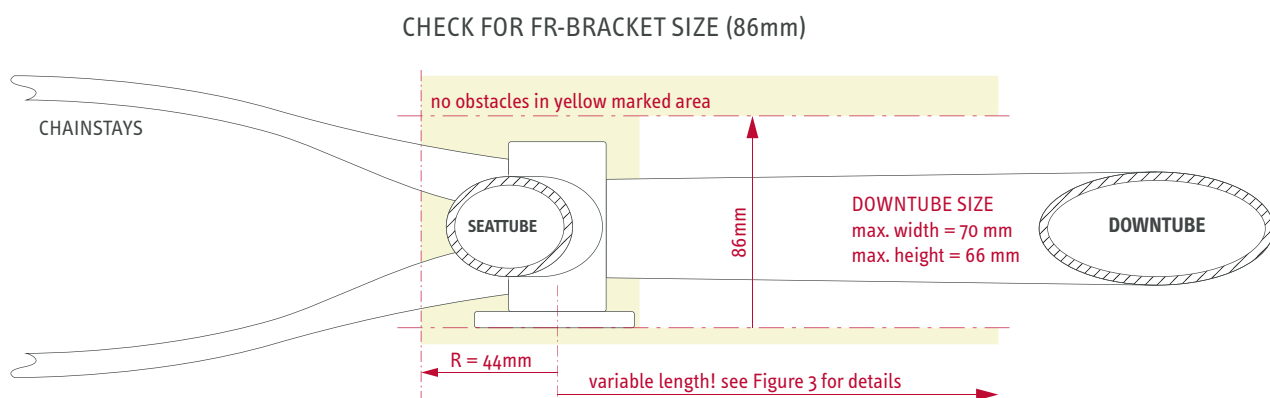


FIG. 2a

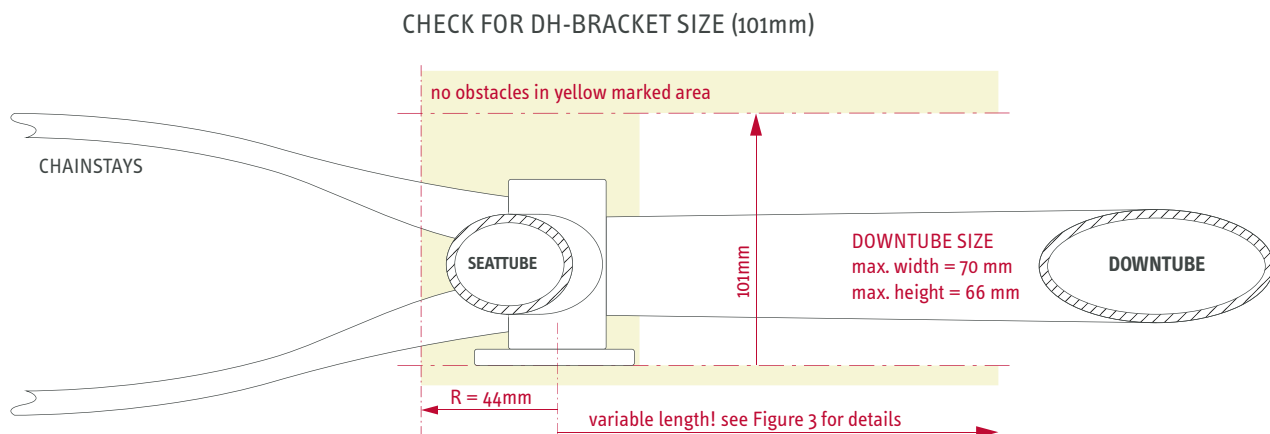


FIG. 2b

ESTIMATING THE EGO-ADAPTER LENGTH

SMALL BRACKET SIZE

The mounting clamp (which is 34mm wide) can be mounted on **three** points along the downtube. Please ensure that in the following areas (measured from the center of the bottom bracket) are no obstacles:

- 1) 176–210 mm 2) 196–230 mm 3) 216–250 mm

LARGE BRACKET SIZE

The mounting clamp (which is 34mm wide) can be mounted on **five** points along the downtube. Please ensure that in the following areas (measured from the center of the bottom bracket) are no obstacles:

- 1) 211–245 mm 2) 236–270 mm 3) 257–291 mm
4) 278–312 mm 5) 300–334 mm

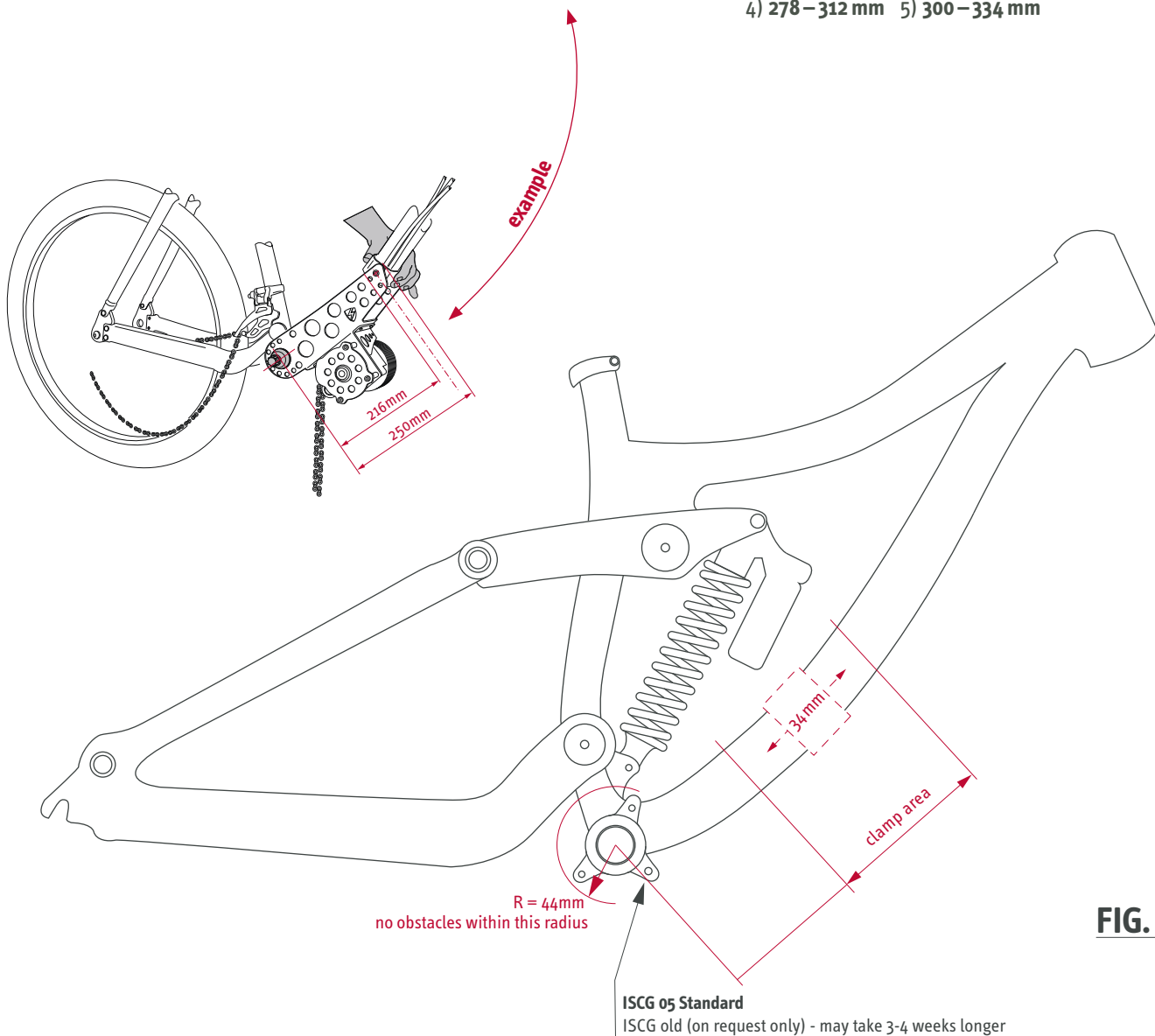


FIG. 3



NOTE

A bended downtube will influence your measurements. Anyway your assistance will give us some help finding the perfect solution for your bike.

ESTIMATING THE ISCG TYPE

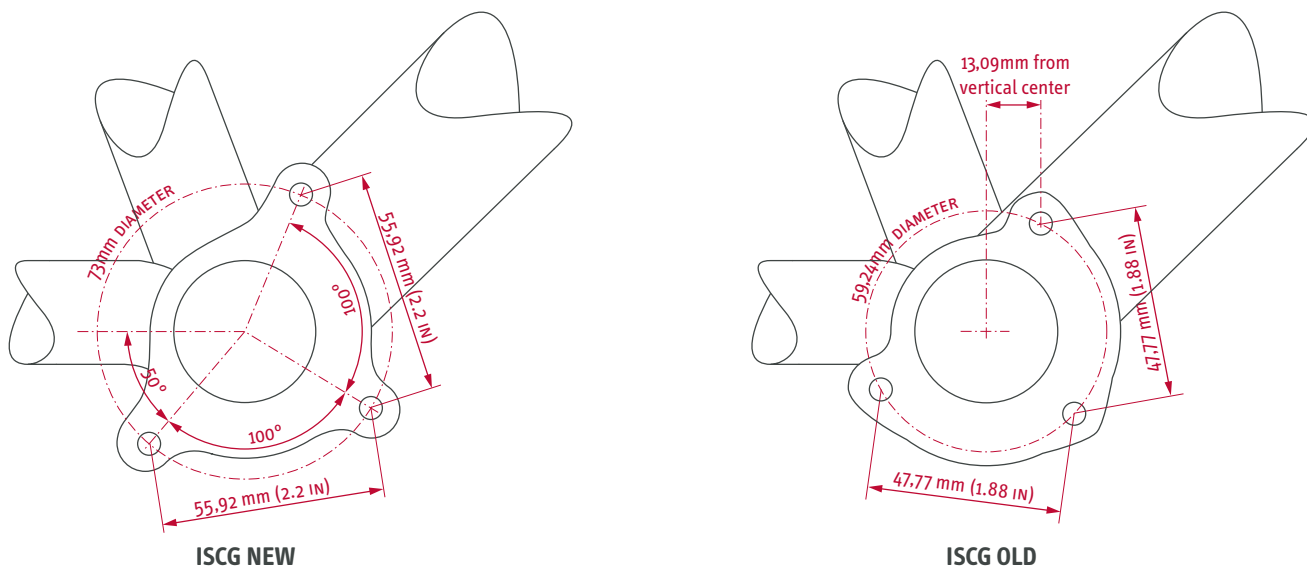


FIG. 4

BIKES WITHOUT CHAINGUIDE MOUNT

Do tell us! The EGO-Kit can be mounted with our ISCG adapter.

YES, I'M READY!

Once you're done with all the measurements get yourself a refreshing drink and send us your request like in the example shown below (preferably via email).

info@ego-kits.com

Thanks for your collaboration!



www.ego-kits.com

